



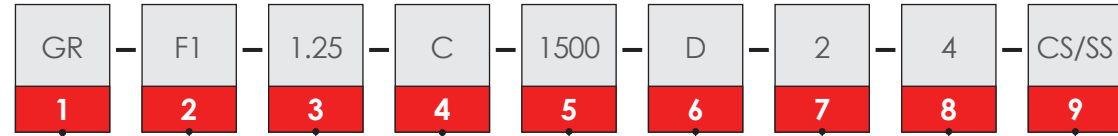
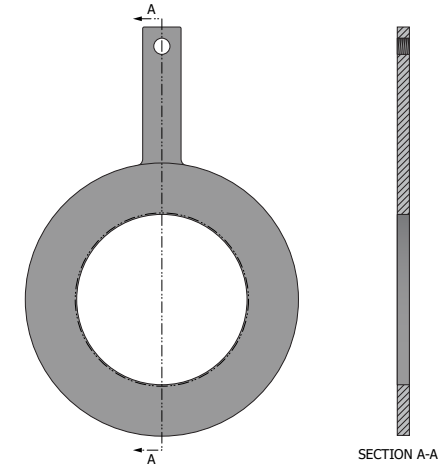
FLOW METER GROUNDING RINGS

PART BREAKDOWN



Flow meter grounding rings, or earth rings, ground the process and reduce noise delivered to the gauge.

- American Thermowell grounding rings are available in pairs
- All rings are inspected for accuracy and any possible imperfections before final approval
- Grounding rings are made from stainless steel, hastelloy and monel, however other materials are available.
- Installation kits available upon special request
- Large selection of materials available



1 Type	
Code	Description
GR	Grounding Ring

2 Material	
Code	Description
A1	Brass
A2	17-4 Stainless
A3	17-7 Stainless
B1	Naval Brass
C1	Aluminum 6061
D2	Carbon Steel 44W
D3	Carbon Steel A572
D4	Carbon Steel A516Gr70
D5	Carbon Steel A106
D6	Carbon Steel A53
D7	Carbon Steel A105N
D8	Carbon Steel A516Gr70N
E2	Carbon Steel LF2
E3	Carbon Steel 12L14
E4	Carbon Steel 1018
E5	Carbon Steel A105/LF2
E6	Carbon Steel A36
F1	Chrome Moly F11
F2	Duplex F51/2205
F3	Super Duplex F53/2507
F4	Duplex F44/254 SMO
F5	Super Duplex F55
F6	Chrome Moly F5
F7	Chrome Moly F9
F8	Chrome Moly F91
F9	Super Duplex F255
G1	Chrome Moly F22
G2	AISI 4340
G3	Alloy 4140
G4	Chrome Moly F92
G5	Chrome Moly P11
H1	304
H2	304/304L
H3	304H
H4	309/309S
H5	Nitronic N60 (Alloy 218)
J1	317
J2	317/317L
J3	317L
K1	310

2 Material (Continued)	
Code	Description
K2	310H
K3	310S
K4	310/310S
K5	310/310H
K6	310H/310S
K7	310/310H/310S
L1	316
L2	316/316L
L3	316H
M1	321
M2	321/321H
M3	RA330
M4	RA253
N1	347
N2	347/H
N3	410
N4	446
N5	HR160
N6	416
N7	HR230
N8	405
N9	Haynes 25
O1	90/10 Copper/Nickle
O2	70/30 Copper/Nickle
P1	Alloy 600
P2	Alloy 625
P3	Alloy 601
P4	Alloy 602
Q1	Alloy 825
Q2	Alloy 800
Q3	Alloy 800HT
Q4	Alloy 800H/800HT
Q5	Alloy 800/800H
Q6	Alloy 800H
Q7	Alloy 800/800H/800HT
Q8	Inconel 617
Q9	Alloy C932
R1	Alloy 400
R2	Alloy K500
S1	Alloy 200
S2	Alloy 20
S3	904L
S4	AL-6XN
S5	HR120

2 Material (Continued)	
Code	Description
S6	Alloy 31
T1	Titanium Gr2
T2	Titanium Gr5
T3	Titanium Gr7
T4	Titanium Gr12
U1	Alloy C276
U2	Alloy B2
U3	Alloy B3
U4	Alloy C22
U5	Alloy X
U6	Alloy C2000
U8	Alloy C4
U9	Alloy G30
V1	Copper
V2	Aluminium Bronze
V3	Aluminium Bronze 500214
W1	Teflon PTFE
Y1	PVC
Y2	CPVC
Y3	PVP
Y4	HDPE
Z1	Zirc 702
Z2	Kynar/PVDF
Z4	Stellite 6B
Z5	Tantalum

3 Line Sizes	
Code	Description
0.5	1/2"
0.75	3/4"
1	1"
1.25	1-1/4"
1.5	1-1/2"
2	2"
2.5	2-1/2"
3	3"
4	4"
5	5"
6	6"
8	8"
10	10"
12	12"
14	14"
16	16"
18	18"
20	20"
22	22"
24	24"
26	26"
28	28"
30	30"
32	32"
34	34"
36	36"
40	40"
42	42"

4 Bore Location	
Code	Description
C	Fixed

5 Ratings	
Code	Description
150	150#
300	300#
300600	300/600#
400	400#
600	600#
900	900#
9001500	900/1500#
1500	1500#
2500	2500#
D1	PN10
D2	PN16
D3	PN6
D3	PN25
D4	PN40
D5	PN64
D6	PN100

6 Plate Thickness	
Code	Description
3	0.0625
A	0.125
E	0.188
B	0.25
F	0.3125
C	0.375
G	0.4375
D	0.5
H	0.5625
I	0.625
J	0.6875
K	0.75
L	0.8125
M	0.875
N	0.9375

6 Plate Thickness (Continued)	
Code	Description
O	1
P	1.0625
Q	1.125
R	1.1875
S	1.25
T	1.3125
U	1.375
V	1.4375
W	1.5
Y	1.625
Z	1.75
1	1.875
2	2
X	OTHER

7 Number of Rings	
Code	Description
X	Numeric input (e.g., 2, 4, 6)

8 Number of Gaskets	
Code	Description
X	Numeric input (e.g., 2, 4, 6)

9 Gasket Materials	
Code	Description
C4433	RING
CS/SS	SW (Spiral Wound)
SS/SS	SW (Spiral Wound)
SPDM	FF (Full Face)



**American
Thermowell**

4861 Paula Road, Kountze, Texas 77625
 1-409-246-1111
 sales@americanthermowell.com
 www.americanthermowell.com



Specializing in instrumentation and process control hardware.

- ✓ Thermowells
- ✓ Orifice Plates
- ✓ Bleed & Flush Rings
- ✓ Valves



Revised (04/13/2026)