



American Thermowell



www.americanthermowell.com

BUILT ON A TRADITION OF EXCEEDING QUALITY AT EVERY STEP.

Revised (08/22/2024)

Meter Run Assembly

When high accuracy flow measurement of the process is required



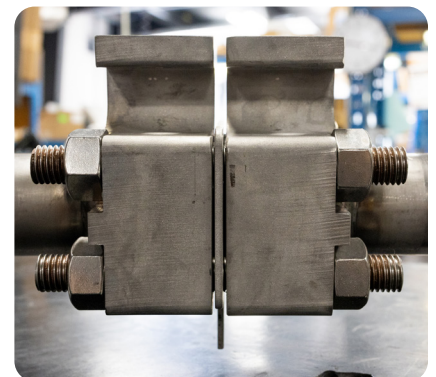
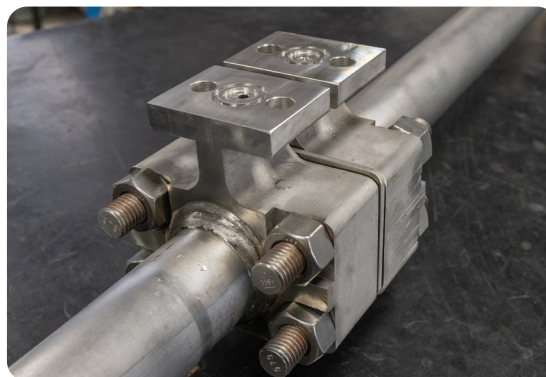
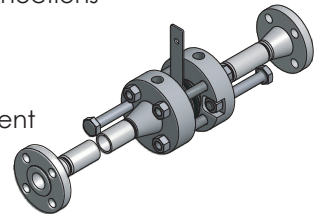
American Thermowell meter run assemblies are designed as a complete unit allowing for easy installation, while also improving overall reliability.

Meter runs are commonly manufactured to standard lengths; however, they can be designed for custom applications, which will help achieve optimal efficiency at the transmitter.

American Thermowell meter run assemblies are delivered as a single unit, which includes flange union, orifice plate & either flanged, threaded or weld bevel connections. We can also pre-install manifolds and transmitters when requested (transmitters supplied by client).

Design Advantages:

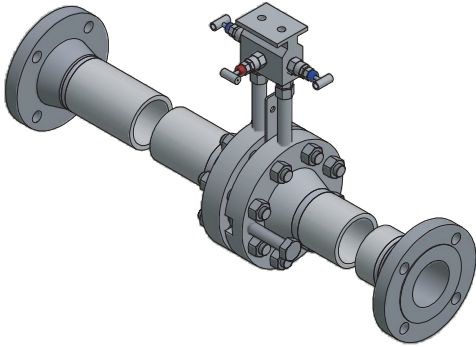
- Supplied fully assembled and ready for installation
- Available with flanges, threads or weld bevel connections
- Designed for line sizes up to 12"
- Meter runs above 12" available upon request
- Suitable for steam, gas and liquid flow measurement
- Large selection of materials available
- NACE compliant
- CRN's available upon request, see factory for details
- Dye Pen, X-Ray and Hydro testing available



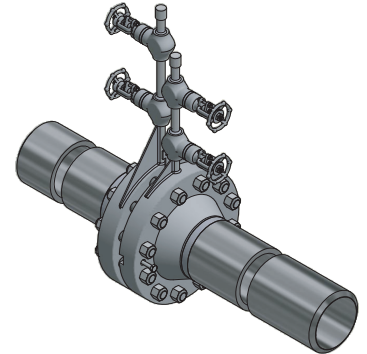
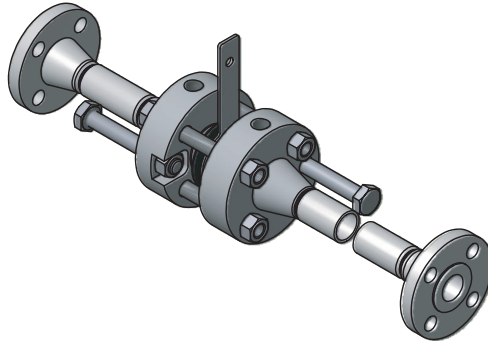


Built on a tradition of exceeding quality at every step

METER RUN ASSEMBLY



Flanged Connections

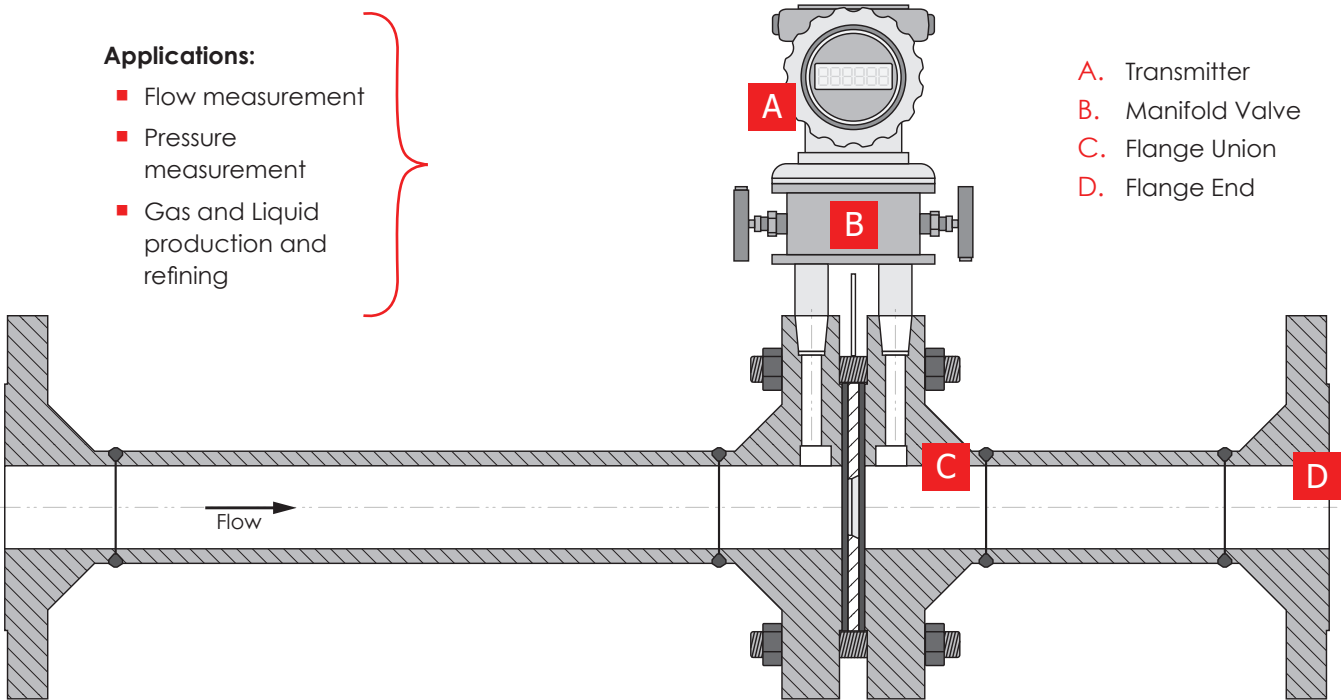


Weld-in Connection



Applications:

- Flow measurement
- Pressure measurement
- Gas and Liquid production and refining



**American
Thermowell**



Specializing in instrumentation
and process control hardware.

- ✓ Thermowells
- ✓ Bleed & Flush Rings
- ✓ Orifice Plates
- ✓ Valves

