



American Thermowell



www.americanthermowell.com

BUILT ON A TRADITION OF EXCEEDING QUALITY AT EVERY STEP.

Revised (08/22/2024)

Orifice Flange Union (Assembly)

Designed to provide an accurate and convenient solution for installing orifice plates

American Thermowell orifice flange unions are available in a threaded tap or socket-weld connections, and are engineered for high pressure and temperature applications.

Our flange unions are designed to hold the orifice plates in place for accurate and reliable flow measurement. Available in a variety of materials, including A105 carbon steel & 316L stainless steel.

Also known as a orifice union, orifice flange set, or an orifice pair, American Thermowell flange unions are supplied with all the necessary hardware to make installation hassle free including nuts, studs, gaskets and pipe plugs. All our flange unions meet or exceed ASME specifications.

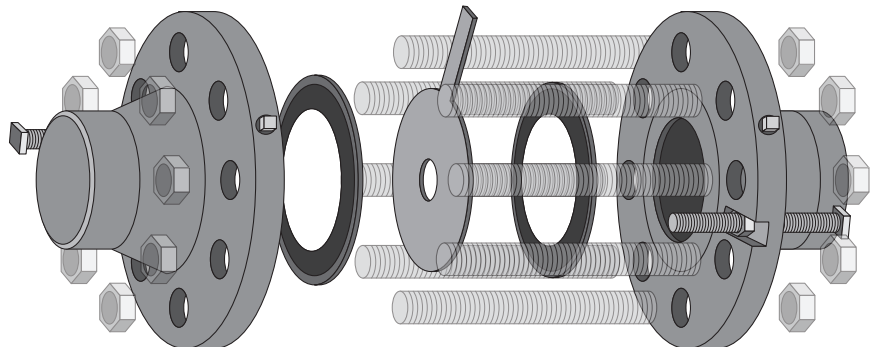
Features:

- Flanges include pressure taps for convenient service in the field
- American Thermowell orifice flange unions are supplied complete with nuts, bolts, gaskets and plugs, for easy installation
- Greatly reduce maintenance time and cost with basic fitting design with minimal parts
- Available in various line sizes between 2" - 24"
- Designed for most liquid, gas and steam applications
- Paddle orifice plate sold separately
- NACE compliant



American Thermowell flange unions are available in both single units as well as ready-to-install meter runs.

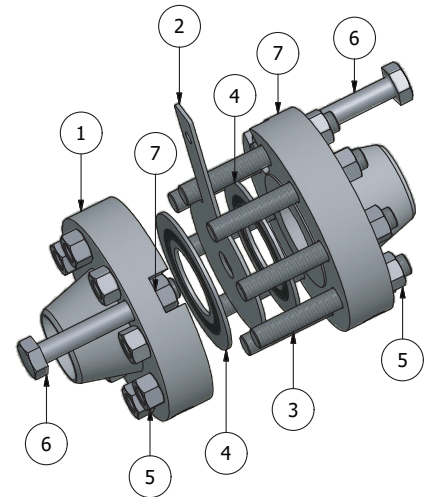
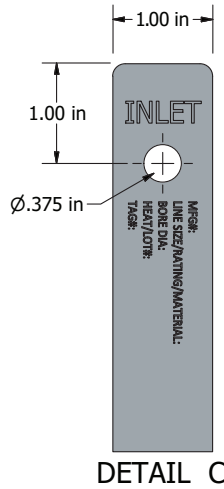
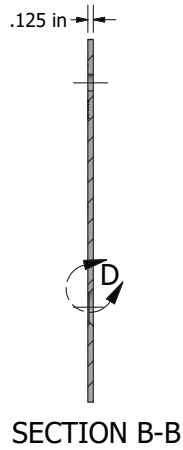
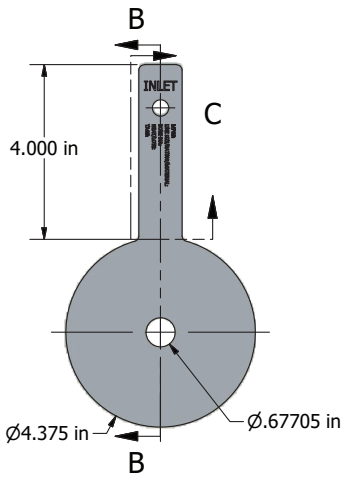
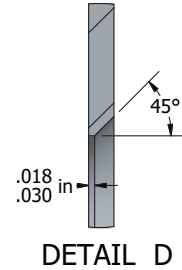
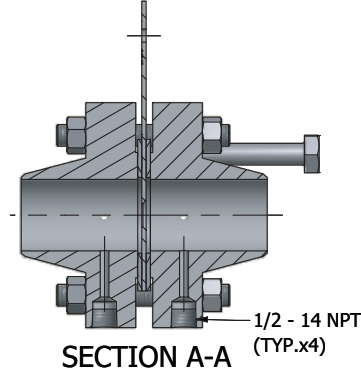
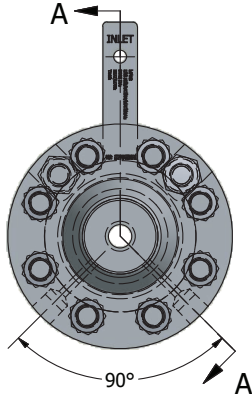
Talk to an American Thermowell sales representative today to find out more.



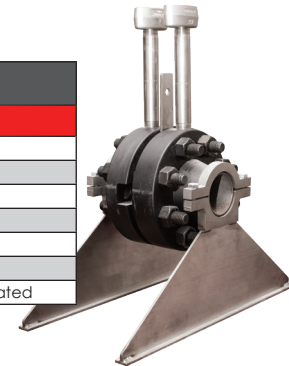


Built on a tradition of exceeding quality at every step

ORIFICE FLANGE UNION (ASSEMBLY)



Part List					
Item	Qty	Size	Descriptions	Material	
1	1	2"-300# SCH. 40	Orifice Planges c/w (x2) 1/2" NPT Ports	SA182 A105	
2	1	2"-300#, 1/8" Thk.	Concentric Orifice Plate	SA240 316/L SS	
3	8	5/8" Dia., 5" Lg.	Stud	SA193-B7	
4	2	2"-300#, 1/16" Thk.	Non-Asbestos Gasket	C4433 or equivalent	
5	16	5/8"	Hex Nuts	SA194-2H	
6	2	5/8" Dia., 4.5" Lg.	Jack Bolt	GR.8 Yellow Zinc Plated	
7	2	5/8"	Heavy Hex Nut	SA194-2-H Yellow Zinc Plated	



Specializing in instrumentation and process control hardware.

- ✓ Thermowells
- ✓ Bleed & Flush Rings
- ✓ Orifice Plates
- ✓ Valves

